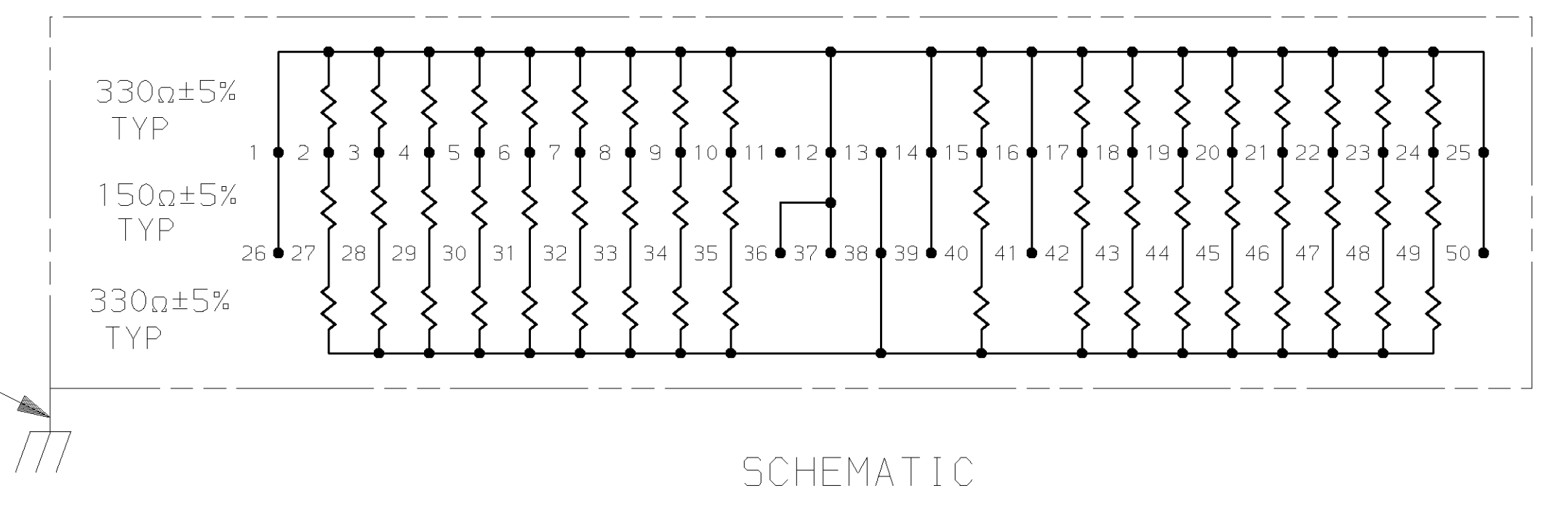
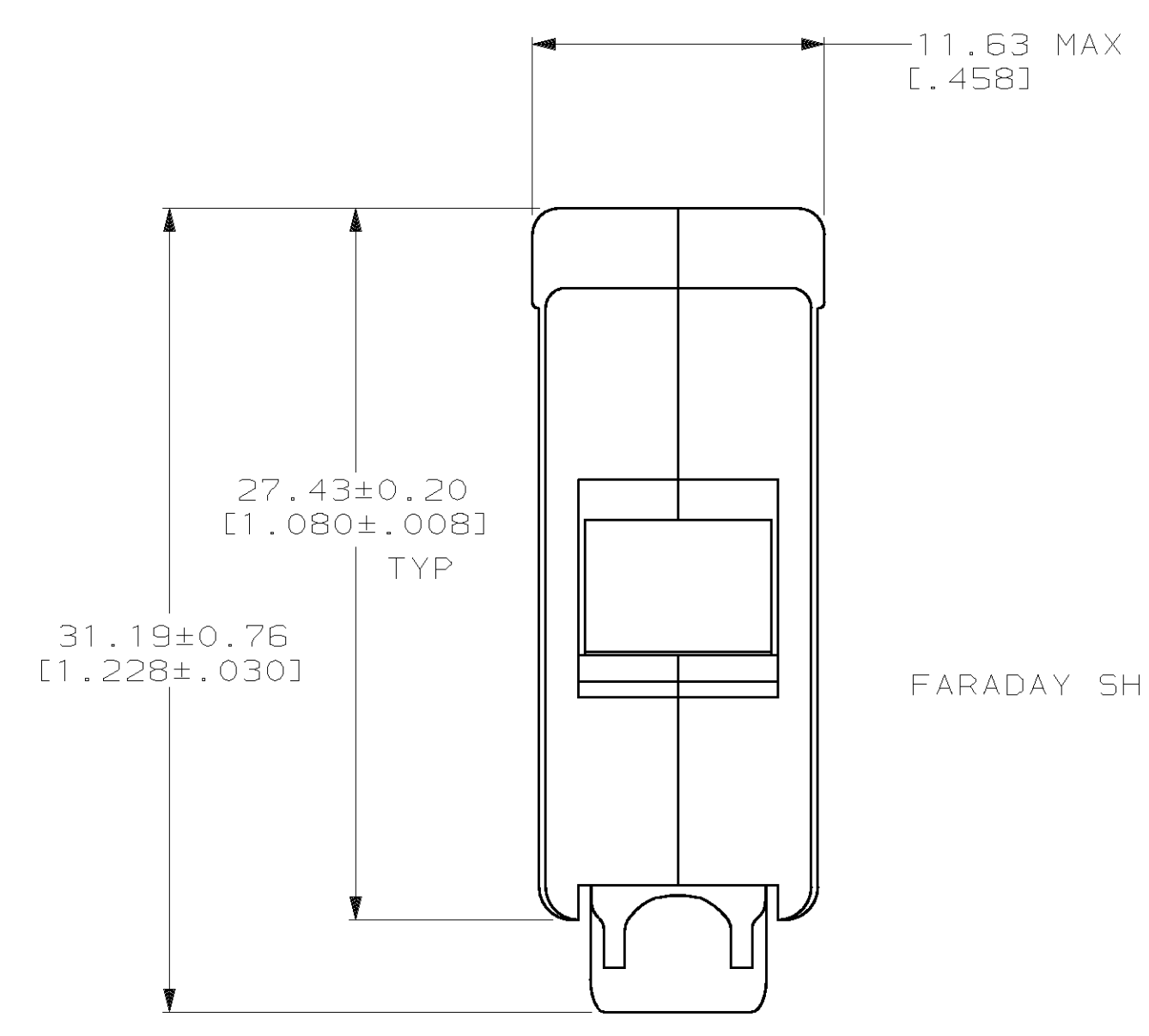
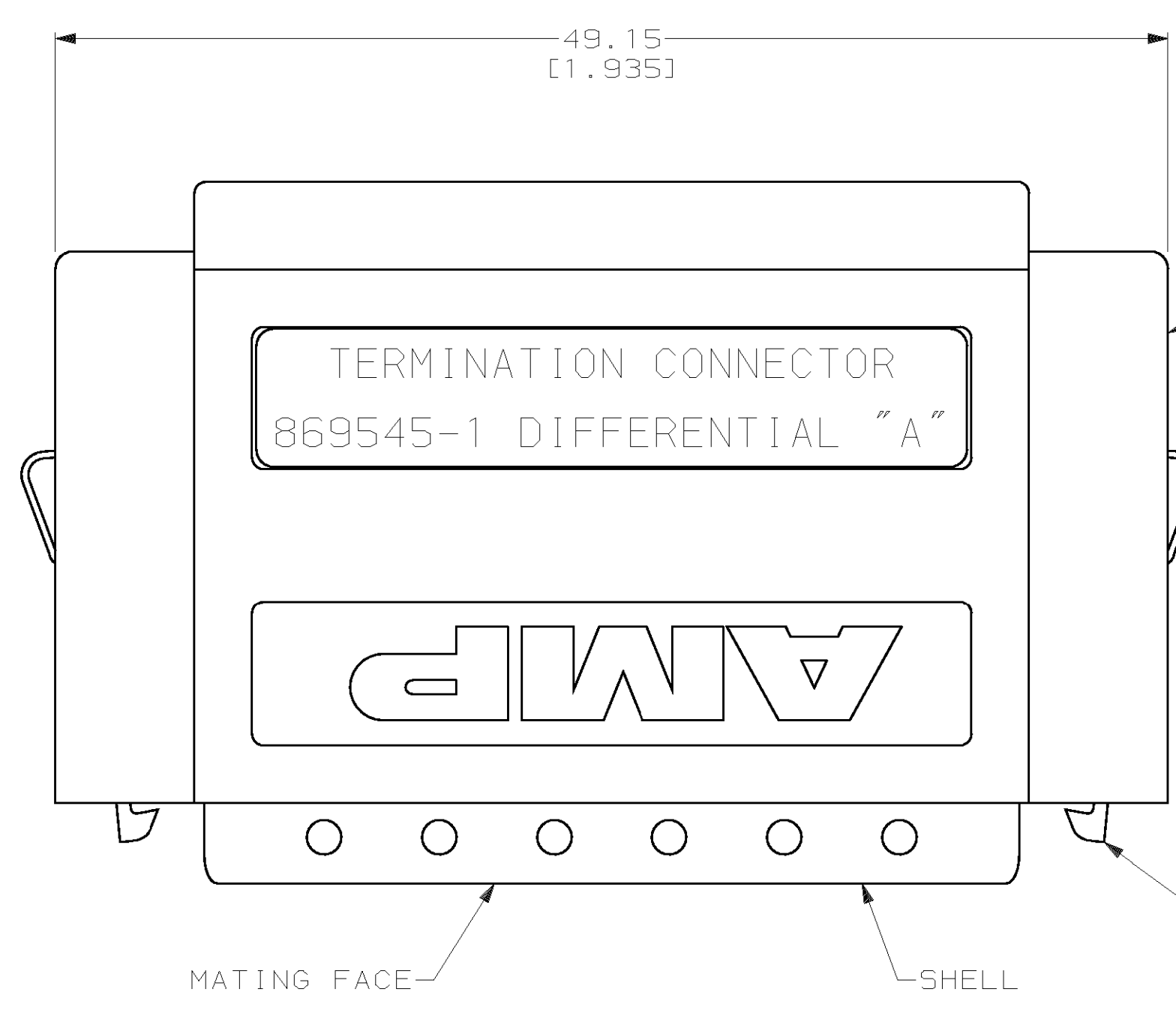
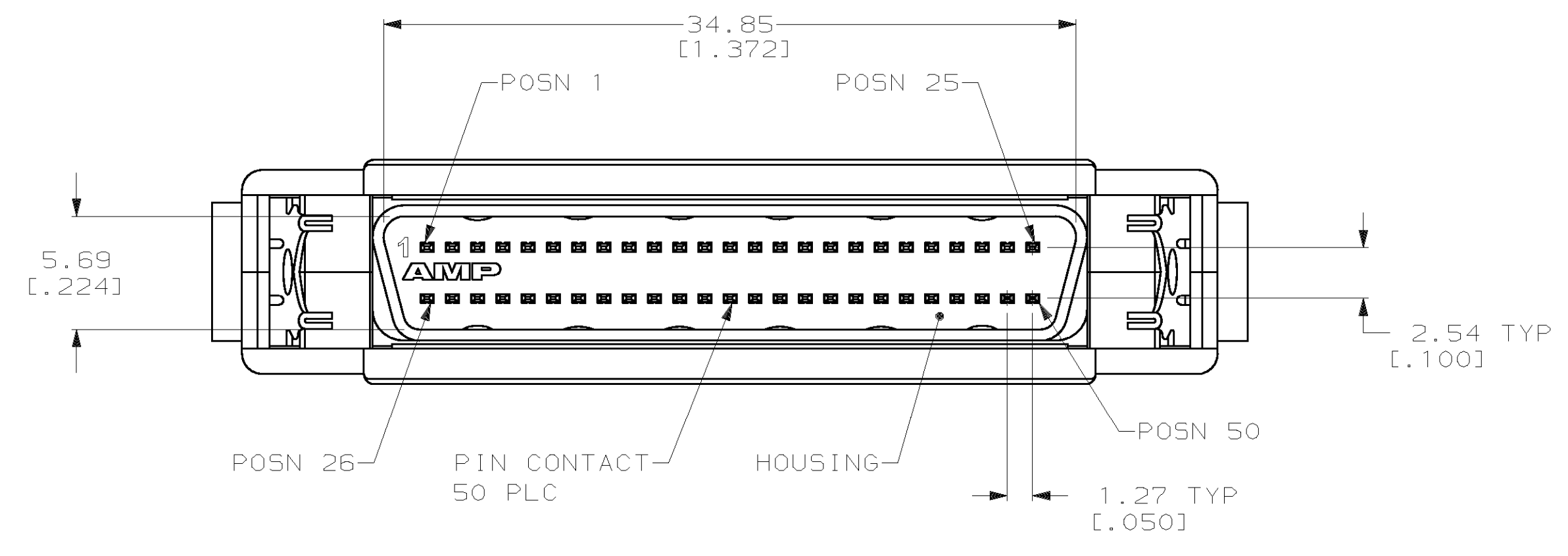


MOD	LOC	DIST	P	F	ZONE	LTR	DESCRIPTION	DATE	APPD
5	GP	00					RLSE WAS 91-4163-085-01, NPR 3877	2-92	DW
							REVISED ECN B06418	07/29/92	PR
							REV PER 0020-601-93	10/28/93	PR
							REV PER EC 051A-0168-00	06/28/00	MG



- ① SHELL: CARBON STEEL; PIN CONTACT: PHOSPHOR BRONZE; HOUSING: POLYESTER, BLACK; RESISTOR NETWORK: THICK FILM RESISTOR COMPOSITION ON ALUMINA SUBSTRATE. SPRING LATCH: STAINLESS STEEL; COVER: ABS, GRAY, UL 94V-0 RATED.
- ② 5.08μm[.000200] MIN TIN-NICKEL OVER 1.27μm[.000050] MIN COPPER.
- ③ 0.76μm[.000030] MIN GOLD FOR A LENGTH OF 3.35[.132] MIN FROM MATING END OVER 1.27μm[.000050] MIN NICKEL.



869545-1
 PART NO

DO NOT SCALE PRINT. UNLESS SPECIFIED DIMENSIONS IN mm [INCHES] TOLERANCES ON: 2 PLC DEC ± 0.25[.010] 3 PLC DEC ± - ANGLES ± -		DR 2-22-92 J McCLINTON	AMP Incorporated Harrisburg, PA 17105-3508	
MATERIAL		CHK 4-1-92 R STONE		
FINISH		APPD 4-2-92 D WEYANDT	NAME PLUG ASSEMBLY, 50 POSITION, .050 SERIES AMPLIMITE™, TERMINATOR	
SHELL: ② CONTACTS: ③		APPD 4-2-92 J FULPONI	SIZE D	CAGE CODE 00779
		PRODUCT SPEC -	DRAWING NO 869545	SHEET 1 OF 1
		APPLICATION SPEC -	SCALE 4:1	
		WEIGHT -		